

Full HD
1080

Ultra-Small Full HD High sensitivity USB Camera Module

KTUSCM002

Nursing
care

Medical

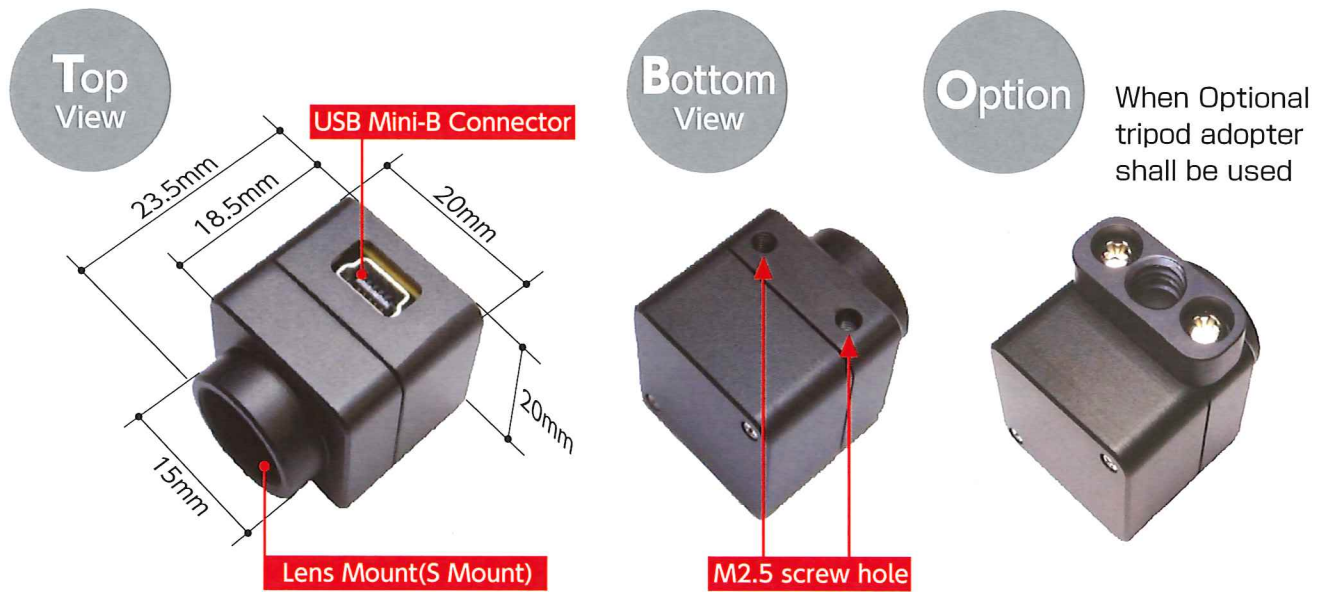
Watch

Robot

Construction

Welfare

- Ultra small size (20mm x 20mm x 23.5mm) and super lightweight (12g) body
- Full HD(1920×1080 Pixels)at 30 frame/s available
- Adopt high sensitive and low noise CMOS sensor Exmor® made by Sony
- Low power consumption Approx.500mW (Full HD output)
- Support USB Video Class(UVC) No driver installation required
- S mount (M12 x P0.5) Lens available (the lens is option)
- Reliable Japanese design and production
- Small lot is available
- ustom made is available (firmware adjustment,lens choice, housing etc)



Items	Specification	Remarks
Image sensor	Sony CMOS color image sensor 1/2.8 inch (Diagonal 6.4mm)	
Effective pixels	1984 (H) × 1225 (V) ,Approx. 2.43M Pixels	
Scanning system	Progressive	
Shutter	Electronic rolling shutter	
Output image formats	YUV422, MJPEG	
Data interface	USB2.0 (High Speed / Full Speed)	Full speed mode supports only QCIF(176x144 Pixels) resolution.
Maximum frame rate (MJPEG)	VGA 640×480 Pixels : 30fps HD 1280×720 Pixels : 30fps FHD 1920×1080 Pixels : 30fps WUXGA 1920×1200 Pixels : 19fps	
Sensitivity (F5.6)	510mV	Image sensor characteristic
Operating system	Windows® 7 (SP1) Windows® 8.1	
Driver	No driver installation required Compliant with the USB Video Class(UVC)	
Connector	USB Mini-B	
Size / Weight	W20×D20×H23.5mm / Approx.12g	
Power supply	5.0V (USB Bus Power Supply) Current consumption : Approx.100mA	
Certification	RoHS	

※Windows is a registered trademarks of Microsoft Corporation in the United States and other countries.
 ※Other company names, product names are the trademarks or registered trademarks of their respective owners.
 ※This brochure is current as of May 2016. Specifications are subject to change without notice.

Contact